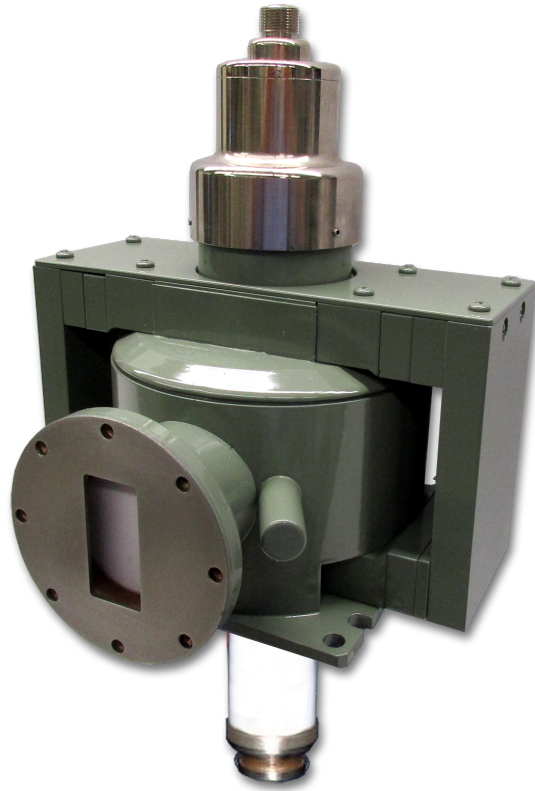


CPI Electron Device Business - Coaxial Magnetron



The VMC2033C is a coaxial magnetron that delivers high peak and average RF power for use in weather radar transmitters.

The VMC2033C will mount directly into new and existing sockets and can be operated under various pulse and input conditions to accommodate wide ranging operating requirements. In addition to high power, the VMC2033C provides excellent frequency stability, low jitter and long life.

FEATURES:

- Frequency 5.3 – 5.85 GHz
- Peak power output 325 kW
- Duty cycle .001
- Air cooled
- Mechanically tunable

BENEFITS:

- 40,000 hours life
- Long life

APPLICATIONS:

- Weather radars

CPI EDB C-Band 325 kW Coaxial Magnetron: VMC2033C

Electrical Specifications

Frequency	5.3 -5.85 GHz
Peak power output	325 kW
Average power output	325 kW
Pulse voltage	25 – 26 kV
Peak anode current	32 A
Average anode current	24.0 mA
Pulse width	3.0 μ S
Duty cycle	0.001
Maximum filament voltage	10.5 V
Maximum filament current	13 A
Minimum warm-up time	300 S
Maximum load VSWR	1.5:1

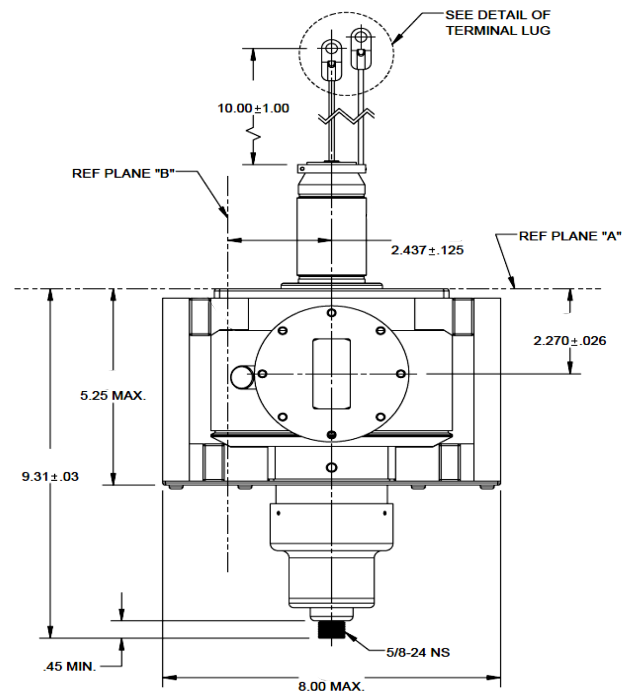
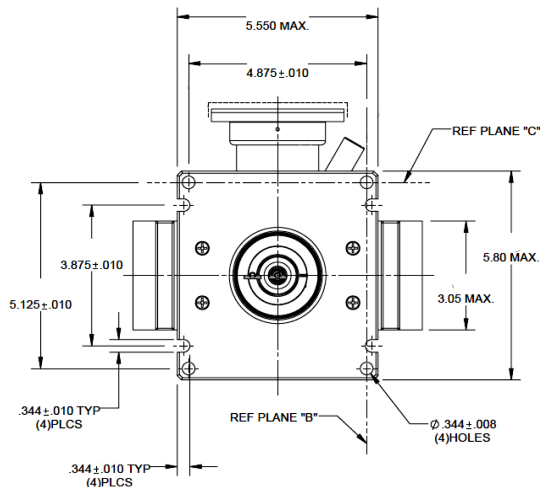
Mechanical and Environmental Specifications

Cooling	Forced air
Maximum body temperature	120°C
Mounting position	Any
Support	Mounting flange
Coupling	UG148B/U choke flange modified for clearance holes
Weight	37 lbs. (16.78 kg)

*Electrical specifications are typical. Other operating conditions are obtainable.

With a history of producing high quality products, we can help your with magnetron.

Contact us at ElectronDevices@cpi-edb.com or call us at +1 978-922-6000.



Beverly Microwave Division
150 Sohler Road
Beverly, Massachusetts
USA 01915

tel +1 978-922-6000
email ElectronDevices@cpi-edb.com
fax +1 978-922-8914
web www.cpi-edb.com

For more detailed information, please refer to the corresponding CPI EDB technical description if one has been published, or contact CPI EDB. Specifications may change without notice as a result of additional data or product refinement. Please contact CPI EDB before using this information for system design.

©2024 CPI Electron Device Business. Company proprietary: use and reproduction is strictly prohibited without written authorization from CPI EDB.